

TRP70 Series



TRP70 Series tripod pedestals have been developed for our PTS Series positioners. Besides, you can use these tripods for any task you need. They are suitable for usage in both outdoor and indoor applications.

All legs are foldable and can be fixed, when opened, to the concrete ground or soil with the appropriate apparatus included in the tripod package. Also, we can supply castor wheels optionally to move the tripod pedestal even with devices mounted on top of its mast. The mast height can be customized according to your needs.

They are made of steel structure with quality paint coating with customer selected colors range. If you prefer aluminum structure, you can consult with our experts. Please see our datasheet for more details on the existing models, or let's discuss customizable options.

APPLICATIONS

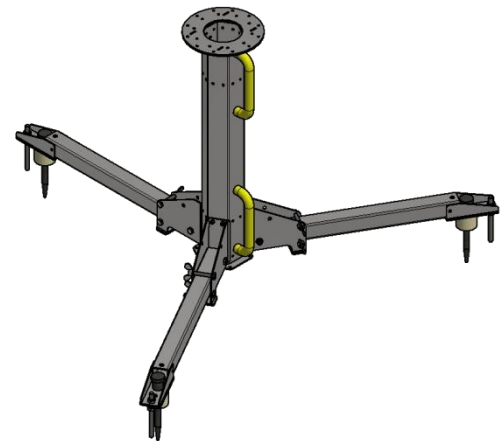
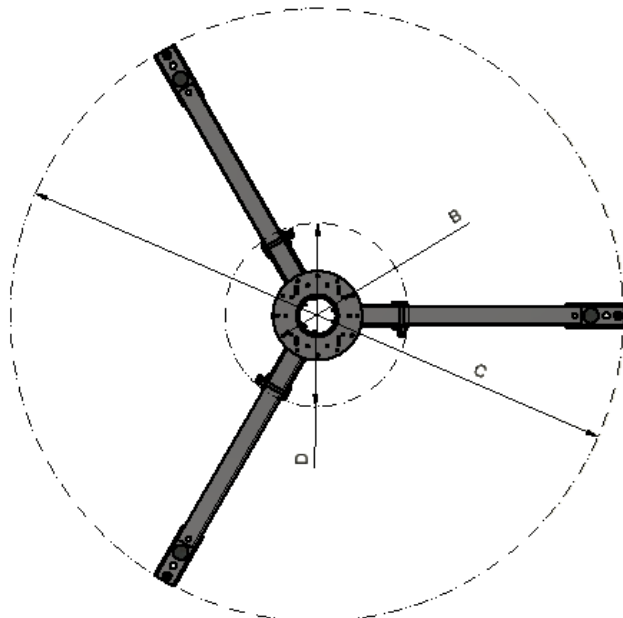
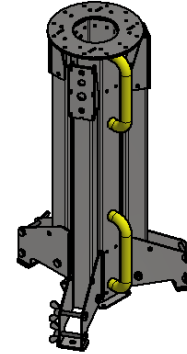
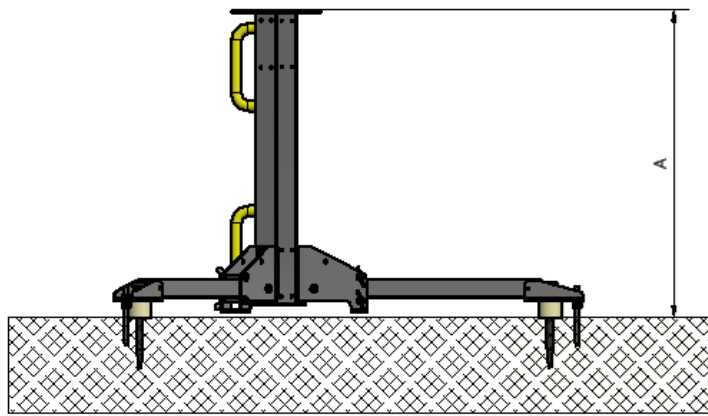
Mounting of Antenna Positioners, Pan Tilts, etc.
Both Outdoor and Indoor Applications
Video Surveillance & Security Systems
Wireless Communications

KEY FEATURES

Up to 180 kg Payload Capacity
Steel Structure
Quick Set-Up
Customizable according to Users' Demands
Optional Castor Wheels



TECHNICAL SPECIFICATIONS



Product Designation	TRP70-0101	TRP70-0102
Height (A)	1074 mm	792 mmm
Top Flange Diameter (B)	230 mm	230 mm
Diameter (Open) (C)	1580 mm	1580 mm
Diameter (Folded) (D)	620 mm	470 mm
Weight	32 kg	28 kg
Concrete Studs	3 pcs	3 pcs
Spikes for Soil Surface (Stainless Steel)	3 pcs	3 pcs
Handles	2 pcs	2 pcs
Vertical Payload Capacity	180 kg	130 kg
Material	Steel	Steel
Exterior Finish	Double Layer of Paint (Primer & Exterior)	Double Layer of Paint (Primer & Exterior)

For Customized Options, Please Consult with us.